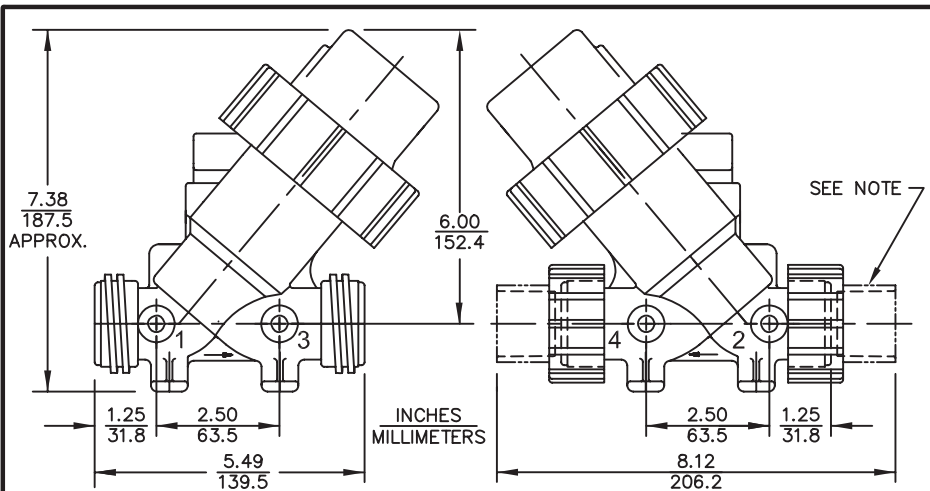


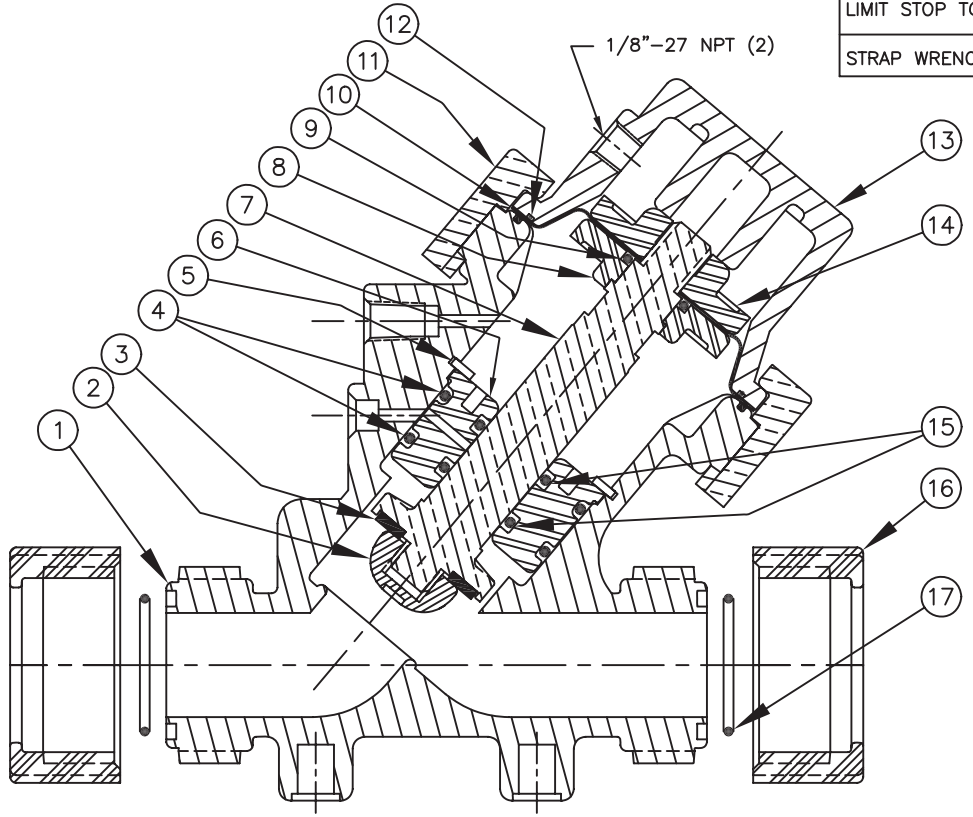
# K531 DIAPHRAGM VALVE - STANDARD MODEL



REPAIR PARTS KITS		
DESCRIPTION	PART NO.	
DIAPHRAGM & SEALS KIT CONSISTS OF ITEM NO'S 3,4(2),9,10,12,15(2)	1070318 (531-RAE)	1070326 (531-RAJ)
	E.P.D.M. INCLUDES DIAPHRAGM	BUTYL INCLUDES DIAPHRAGM
	1073277 (V531-100)	1073277 (V531-100)
	1070334 (531-RAV)	
INT. PARTS KIT CONSISTS OF ITEM NO'S 2,5,6,7,8,14	FKM INCLUDES DIAPHRAGM 1073278 (V531-101)	
	1070342 (K531-RF)	

ASSEMBLY TOOLS	
DESCRIPTION	PART NO.
LIMIT STOP TOOL (TOOL NOT SHOWN)	1073556 (V560-579)
STRAP WRENCH (TOOL NOT SHOWN)	1073557 (V560-581)

NO.	DESCRIPTION	PART NO.	QTY.
1	BODY	1073287 (V531-410K)	1
2	DISC PLATE	1073274 (V531-093K)	1
3	DISC	E.P.	1073279 (V531-110)
		BUTYL	1073280 (V531-111)
		FKM	1073281 (V531-112)
		FKM	1073281 (V531-112)
4	O-RING	E.P.	1071749 (ORE-223)
		BUTYL	1071780 (ORJ-223)
		FKM	1071820 (ORV-223)
5	RETAINING RING	1073312 (V531-593)	1
6	SHAFT GUIDE	PVC	1073292 (V531-491)
		NORYL	1073291 (V531-490)
7	SHAFT	1073294 (V531-530)	1
8	LWR DIA. PLATE	1073265 (V531-045K)	1
9	O-RING	BUNA N	1071700 (ORB-208)
		FKM	1071814 (ORV-208)
10	DIAPHRAGM	BUNA N	1073277 (V531-100)
		FKM	1073278 (V531-101)
11	CAP RETAINER NUT	1073395 (V535-080K)	1
12	O-RING	BUNA N	1071685 (ORB-039)
		FKM	1071796 (ORV-039)
13	CAP	1073263 (V531-021K)	1
14	UPR DIA. PLATE	1073264 (V531-040K)	1
15	O-RING	E.P.	1242718 (ORE-210TC)
		BUTYL	1071776 (ORJ-210)
		FKM	1242394 (ORV-210TC)
16	SOCKET RTNG NUT	1073273 (V531-080K)	2
17	O-RING	E.P.	1071748 (ORE-218)
		BUTYL	1071779 (ORJ-218)
		FKM	1071819 (ORV-218)



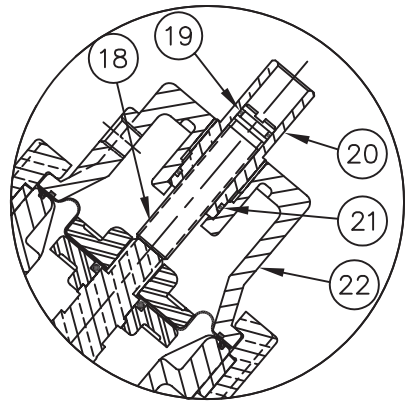
1070304 (K531-X200-14000)  
**NORMALLY OPEN (STANDARD)**

NOTE:  
CONNECTORS NOT FURNISHED WITH VALVE.  
SEE DWG. NO. 1078165 FOR FEMALE SOCKET  
WELD CONNECTORS.

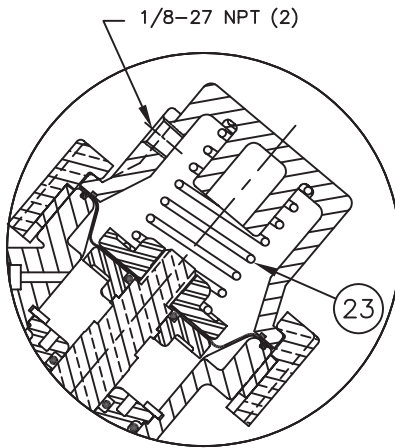
SEE REVERSE SIDE FOR CONFIGURATION OPTIONS

FORM NO. 1077688

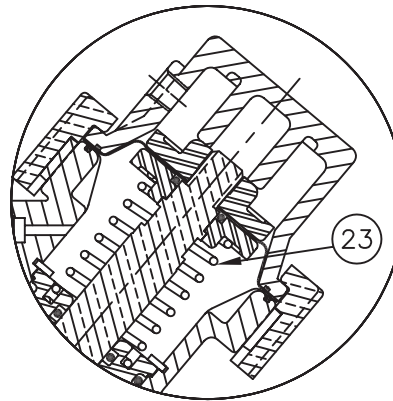
E	UPDATED O-RING P/N'S	1635	MSM	23JAN06	
REV	DESCRIPTION	ECO	DWN	DATE	APVD
<i>AQ Matic</i>		16605 West Victor Rd New Berlin, WI 53151 262-326-0100 www.aq-matic.com			
<b>SERIES 531 DIAPHRAGM VALVE STANDARD MODEL</b>					
DRAWN	JWB	DATE	11JUN01	DRAWING NO.	1084007



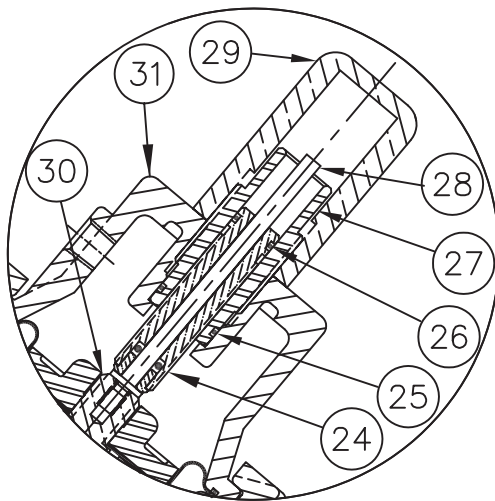
1070305 (K531-X210-14000)  
**LIMIT STOP**



1071286 (K531-X202-14000)  
**SPRING ASSIST CLOSED**



1071282 (K531-X201-14000)  
**SPRING ASSIST OPEN**



K531-X221-14000  
**LIMIT STOP/  
POSITION INDICATOR**


REPAIR PARTS KITS	
DESCRIPTION	PART NO.
INT. PARTS KIT (LIMIT STOP) CONSISTS OF ITEM NO'S 18 THRU 21	1075226 (531-LS)
INT. PARTS KIT (SPRING ASSIST CLOSED) CONSISTS OF ITEM NO. 23	1075229 (531-S)
INT. PARTS KIT (SPRING ASSIST OPEN) CONSISTS OF ITEM NO. 23	1075229 (531-S)
INT. PARTS KIT (LIMIT STOP/POS INDICATOR) CONSISTS OF ITEM NO'S 24 THRU 30	1075227 (531-PI)

CONVERSION KITS	
DESCRIPTION	PART NO.
CONVERSION KIT (LIMIT STOP) CONSISTS OF ITEM NO'S 18 THRU 22	1071265 (K531-LSC)
CONVERSION KIT (SPRING ASSIST CLOSED) CONSISTS OF ITEM NO. 23	1075229 (531-S)
CONVERSION KIT (SPRING ASSIST OPEN) CONSISTS OF ITEM NO. 23	1075229 (531-S)
CONVERSION KIT (LIMIT STOP/POS. INDICATOR) CONSISTS OF ITEM NO'S 24 THRU 31	1071266 (K531-PI-C)

NO.	DESCRIPTION	PART NO.	QTY.
<b>LIMIT STOP MODEL</b>			
18	ADJUSTING SCREW	1073308 (V531-576)	1
19	O-RING	BUNA N 1071668 (ORB-012)	1
		FKM 1071787 (ORV-012)	
20	LS GUIDE	PVC 1073304 (V531-571)	1
		CPVC 1073306 (V531-573)	
21	O-RING	BUNA N 1071671 (ORB-016)	1
		FKM 1071789 (ORV-016)	
22	CAP	1073288 (V531-421K)	1
<b>SPRING ASSIST CLOSED MODEL &amp; SPRING ASSIST OPEN MODEL</b>			
23	SPRING	1073283 (V531-170)	1
<b>LIMIT STOP/ POSITION INDICATOR MODEL</b>			
24	SCREW ASSY	1073315 (V531-700)	1
25	O-RING	BUNA N 1071671 (ORB-016)	1
		FKM 1071789 (ORV-016)	
26	O-RING	BUNA N 1071668 (ORB-012)	1
		FKM 1071787 (ORV-012)	
27	LS/PI GUIDE	PVC 1073303 (V531-570)	1
		CPVC 1073305 (V531-572)	
28	INDICATOR SHAFT	1073298 (V531-555)	1
29	PI CLEAR CAP	1073297 (V531-550)	1
30	SHAFT	1073295 (V531-531)	1
31	CAP	1073288 (V531-421K)	1

SEE REVERSE SIDE FOR  
STANDARD NORMALLY OPEN MODEL

FORM NO. 1077688

E	UPDATED O-RING P/N'S	1635	MSM	23JAN06	
REV	DESCRIPTION	ECO	DWN	DATE	APVD
		16605 West Victor Rd New Berlin, WI 53151 262-326-0100 www.aq-matic.com			
<b>SERIES 531 DIAPHRAGM VALVE STANDARD MODEL</b>					
DRAWN	JWB	DATE	11JUN01	DRAWING NO.	1084007